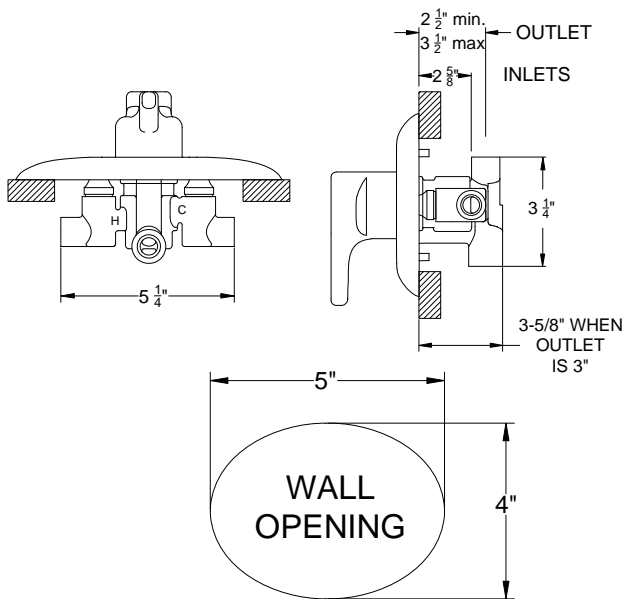


# THERMOSTATIC MIXING VALVE



<b>Engineer's Approval</b>	Job # _____
	Arch/Eng. _____
	Contractor _____

All Leonard Model 7600 Thermostatic Shower Valves have limitations. Please keep in mind that per the ASSE 1016-2011 Performance Standard, Harmonized along with ASME and CSA, it dictates inlet conditions of equal pressures, 45 PSI on both Hot and Cold Inlets, in addition to a Hot supply temperature range of 140 deg F-180 deg F. Significant deviations from those conditions stated above will alter performance expectations.  
© 2018 Leonard Valve Company  
Printed in USA



## 7600 1/2" inlets & outlet CONCEALED PIPING

Valve is ASSE 1016 Type T listed

Valve is CSA listed



\_\_\_7600 Thermostatic Showermaster®

- Tub/shower installation
- Copper encapsulated thermostat assembly with brass shuttle, compensates for temperature fluctuations induced by water temperature and pressure changes
- Built-in shutoff for single handle operation
- Integral checkstops
- Cast wall flange and lever handle, polished chrome plated
- Maximum operating pressure: 125 PSI (860 KPA)
- Minimum flow 1.5 GPM (5.7 l/min)
- Adjustable high temperature limit stop set for 110°F (43°C)
- Color-coded dial
- 1/2" sweat inlets and outlet, threaded bottom outlet
- Capacity of 4 GPM (15 L/min)

### OPTIONS

\_\_\_Suffix VP-Vandal resistant screws

Note: Leonard Valve Company reserves the right of product, or design modifications without notice or obligation.



**WARNING:** This product can expose you to chemicals including lead, which is known to the State of California to cause cancer. For more information, go to [www.P65Warnings.Ca.gov](http://www.P65Warnings.Ca.gov)



1360 Elmwood Avenue, Cranston, RI 02910 USA  
Phone: 401.461.1200 Fax: 401.941.5310  
Email: [info@leonardvalve.com](mailto:info@leonardvalve.com)  
Web Site: <http://www.leonardvalve.com>